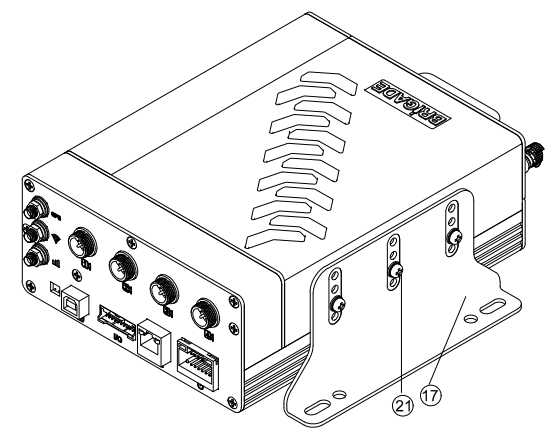
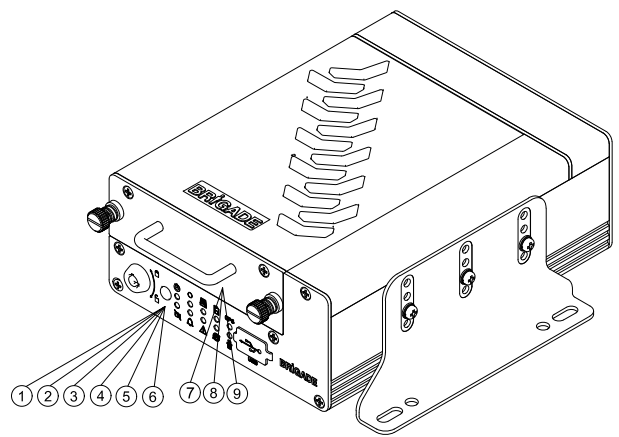
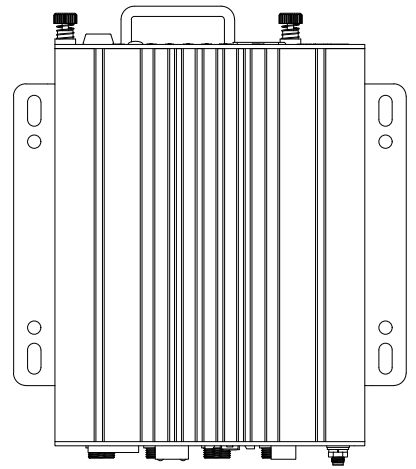
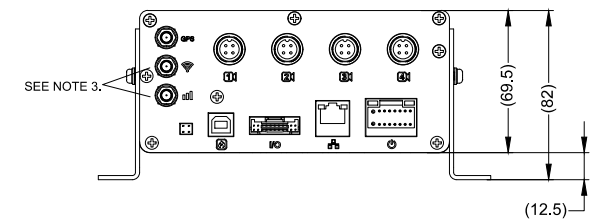
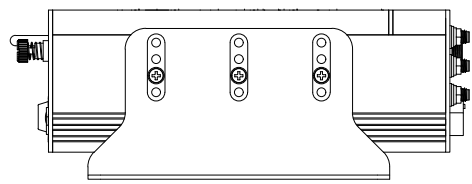
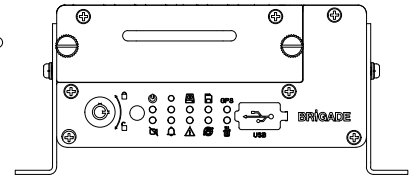
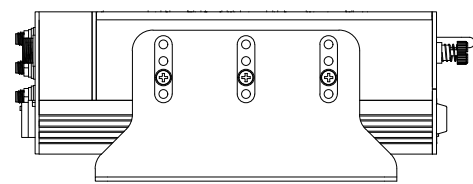
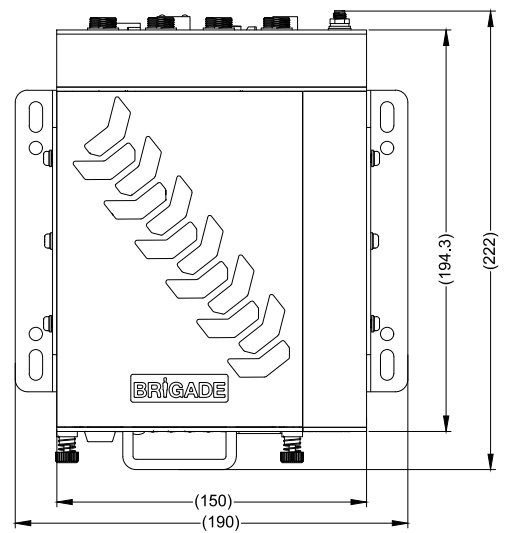


Revision Notes.

R1 - UPDATE WI-FI MODEL NUMBER, FIRMWARE AND MCU VERSION. RELEASED VIA P1012 4G WIFI RELEASE.				
APA: SOFIA ZHANG	Drawn:L. PILLAY	Checked:J. TYRRELL	Approved:D. WALLIN	Date: 31/10/17
R2 - ADDING NEW MODELS (DIFFERENT COMBINATION OF DOCKING STATION AND MCU); ADDING NORTH AMERICAN VARIANT MDRS				
APA: CAROL LI	Drawn:S. ZHANG	Checked:L. PILLAY	Approved:R. PENTLEY	Date: 10/01/2019
R3 - ADDING INTERIM FM FOR NA MODELS AS PER P1129 RELEASE				
APA: CAROL LI	Drawn:S. ZHANG	Checked:L. PILLAY	Approved:B. JOHN	Date: 18/02/2019
R4 - UPDATING FIRMWARE VERSION AND MANUAL AND CD PART NUMBERS FOR ECR-A583 AND P1296 (9 LANGUAGES, NEW FEATURES AND BUG FIXES)				
APA: CAROL LI	Drawn:S. ZHANG	Checked:L. PILLAY	Approved:R. PENTLEY	Date: 24/07/2019



- NOTES:
1. REFERENCE INSTRUCTION MANUAL FOR FUNCTIONALITY.
  2. ANY CUSTOMER MODIFICATION OF THIS PRODUCT CAUSING SUBSEQUENT FAILURE IS NOT A LIABILITY OF BRIGADE ELECTRONICS GROUP PLC.
  3. MOBILE NETWORK AND Wi-Fi CAPABILITIES DEPEND ON MODEL AND AVAILABILITY.
  4. FIXING SCREWS SUPPLIED IN CLEAR PLASTIC BAG.
  5. VARIOUS SYSTEM OPTIONS A, B, C OR D CONTAIN RELEVANT COMPONENTS.
  6. REFER TO COMPONENT DRAWINGS FOR DETAILED COMPONENT INFORMATION.
  7. FOR ALL LABELS AND PACKAGING REFER TO MASTER BOM.
  8. PART DESCRIPTIONS CONTAINING "\*" ARE FOUND WITHIN THE CONTROL UNIT. REFER TO MASTER BOM FOR DETAILS.

**PROPRIETARY NOTICE**  
 THIS DESIGN AND TECHNICAL INFORMATION APPEARING ON THIS DRAWING IS THE PROPERTY OF BRIGADE ELECTRONICS, AND IS DISCLOSED IN CONFIDENCE. IT IS NOT TO BE COPIED, REPRODUCED, REVEALED TO OR EXPROPRIATED BY OTHERS, EITHER IN WHOLE OR IN PART WITHOUT THE EXPRESS WRITTEN CONSENT OF BRIGADE ELECTRONICS.



Assembly Pl Approval SOFIA ZHANG		Approved by B. JOHN		Checked by M. BUTLER		Drawn by L.PILLAY	
Sheet No 1 of 5		Angle of Projection Third Angle		Units mm		Scale N/A	
Status RELEASED		Released 27/07/17		Assembly Ref N/A		MDR-504XX-XXXX	
Part No VARIOUS		BE-003407-04-16					

Revision Notes:				
R1 - UPDATE WI-FI MODEL NUMBER, FIRMWARE AND MCU VERSION. RELEASED VIA P1012 4G WIFI RELEASE.				
APA: SOFIA ZHANG	Drawn:L. PILLAY	Checked:J. TYRRELL	Approved:D. WALLIN	Date: 31/10/17
R2 - ADDING NEW MODELS (DIFFERENT COMBINATION OF DOCKING STATION AND MCU), ADDING NORTH AMERICAN VARIANT MDRS				
APA: CAROL LI	Drawn:S. ZHANG	Checked:L. PILLAY	Approved:R. PENTLEY	Date: 10/01/2019
R3 - ADDING INTERIM FM FOR NA MODELS AS PER P1129 RELEASE				
APA: CAROL LI	Drawn:S. ZHANG	Checked:L. PILLAY	Approved:B. JOHN	Date: 18/02/2019
R4 - UPDATING FIRMWARE VERSION AND MANUAL AND CD PART NUMBERS FOR ECR-A583 AND P1296 (9 LANGUAGES, NEW FEATURES AND BUG FIXES)				
APA: CAROL LI	Drawn:S. ZHANG	Checked:L. PILLAY	Approved:R. PENTLEY	Date: 24/07/2019

ITEM	PART NUMBER	QTY	MODEL NUMBER	DESCRIPTION	MCU VERSION	FIRMWARE VERSION
(A)	5122	1	MDR-504-500	4 CHANNEL MOBILE DIGITAL RECORDER WITH 500GB HDD, GPS, G-SENSOR & 32GB SD CARD	T17071101	T190703.01
(B)	5123	1	MDR-504GW-500	4 CHANNEL MOBILE DIGITAL RECORDER WITH 500GB HDD, GPS, G-SENSOR, 4G, Wi-Fi & 32GB SD CARD		
(C)	5124	1	MDR-504G-500	4 CHANNEL MOBILE DIGITAL RECORDER WITH 500GB HDD, GPS, G-SENSOR, 4G & 32GB SD CARD		
(D)	5125	1	MDR-504W-500	4 CHANNEL MOBILE DIGITAL RECORDER WITH 500GB HDD, GPS,G-SENSOR Wi-Fi & 32GB SD CARD		
(E)	5561	1	MDR-504-1000	4 CHANNEL MOBILE DIGITAL RECORDER WITH 1TB HDD, GPS, G-SENSOR & 32GB SD CARD		
(F)	5573	1	MDR-504GW-1000	4 CHANNEL MOBILE DIGITAL RECORDER WITH 1TB HDD, GPS, G-SENSOR, 4G, Wi-Fi & 32GB SD CARD		
(G)	5569	1	MDR-504G-1000	4 CHANNEL MOBILE DIGITAL RECORDER WITH 1TB HDD, GPS, G-SENSOR, 4G & 32GB SD CARD		
(H)	5565	1	MDR-504W-1000	4 CHANNEL MOBILE DIGITAL RECORDER WITH 1TB HDD, GPS,G-SENSOR Wi-Fi & 32GB SD CARD		
(I)	5563	1	MDR-504-2000	4 CHANNEL MOBILE DIGITAL RECORDER WITH 2TB HDD, GPS, G-SENSOR & 32GB SD CARD		
(J)	5575	1	MDR-504GW-2000	4 CHANNEL MOBILE DIGITAL RECORDER WITH 2TB HDD, GPS, G-SENSOR, 4G, Wi-Fi & 32GB SD CARD		
(K)	5571	1	MDR-504G-2000	4 CHANNEL MOBILE DIGITAL RECORDER WITH 2TB HDD, GPS, G-SENSOR, 4G & 32GB SD CARD		
(L)	5567	1	MDR-504W-2000	4 CHANNEL MOBILE DIGITAL RECORDER WITH 2TB HDD, GPS,G-SENSOR Wi-Fi & 32GB SD CARD		
(M)	5497	1	MDR-504GW-500(NA)	4 CHANNEL MOBILE DIGITAL RECORDER WITH 500GB HDD, GPS, G-SENSOR, 4G, Wi-Fi & 32GB SD CARD, NORTH AMERICAN VARIANT		
(N)	5536	1	MDR-504G-500(NA)	4 CHANNEL MOBILE DIGITAL RECORDER WITH 500GB HDD, GPS, G-SENSOR, 4G & 32GB SD CARD, NORTH AMERICAN VARIANT		
(O)	5552	1	MDR-504GW-1000(NA)	4 CHANNEL MOBILE DIGITAL RECORDER WITH 1TB HDD, GPS, G-SENSOR, 4G, Wi-Fi & 32GB SD CARD, NORTH AMERICAN VARIANT		
(P)	5548	1	MDR-504G-1000(NA)	4 CHANNEL MOBILE DIGITAL RECORDER WITH 1TB HDD, GPS, G-SENSOR, 4G & 32GB SD CARD, NORTH AMERICAN VARIANT		
(Q)	5554	1	MDR-504GW-2000(NA)	4 CHANNEL MOBILE DIGITAL RECORDER WITH 2TB HDD, GPS, G-SENSOR, 4G, Wi-Fi & 32GB SD CARD, NORTH AMERICAN VARIANT		
(R)	5546	1	MDR-504G-2000(NA)	4 CHANNEL MOBILE DIGITAL RECORDER WITH 2TB HDD, GPS, G-SENSOR, 4G & 32GB SD CARD, NORTH AMERICAN VARIANT		

- NOTES:
1. REFERENCE INSTRUCTION MANUAL FOR FUNCTIONALITY.
  2. ANY CUSTOMER MODIFICATION OF THIS PRODUCT CAUSING SUBSEQUENT FAILURE IS NOT A LIABILITY OF BRIGADE ELECTRONICS GROUP PLC.
  3. MOBILE NETWORK AND Wi-Fi CAPABILITIES DEPEND ON MODEL AND AVAILABILITY.
  4. FIXING SCREWS SUPPLIED IN CLEAR PLASTIC BAG.
  5. VARIOUS SYSTEM OPTIONS A, B, C OR D CONTAIN RELEVANT COMPONENTS.
  6. REFER TO COMPONENT DRAWINGS FOR DETAILED COMPONENT INFORMATION.
  7. FOR ALL LABELS AND PACKAGING REFER TO MASTER BOM.
  8. PART DESCRIPTIONS CONTAINING "\*" ARE FOUND WITHIN THE CONTROL UNIT. REFER TO MASTER BOM FOR DETAILS.



Assembly Pl Approval SOFIA ZHANG		Approved by B. JOHN	Checked by M. BUTLER	Drawn by L.PILLAY	
Sheet No 2 of 5	 Third Angle	Units mm	Scale N/A	Released 27/07/17	
 www.brigade-electronics.com		Status RELEASED	MDR-504XX-XXXX		
		Part No VARIOUS	BE-003407-04-16		

**PROPRIETARY NOTICE**  
 THIS DESIGN AND TECHNICAL INFORMATION APPEARING ON THIS DRAWING IS THE PROPERTY OF BRIGADE ELECTRONICS, AND IS DISCLOSED IN CONFIDENCE. IT IS NOT TO BE COPIED, REPRODUCED, REVEALED TO OR EXPROPRIATED BY OTHERS, EITHER IN WHOLE OR IN PART WITHOUT THE EXPRESS WRITTEN CONSENT OF BRIGADE ELECTRONICS.

Revision Notes.				
R1 - UPDATE WI-FI MODEL NUMBER, FIRMWARE AND MCU VERSION. RELEASED VIA P1012 4G WIFI RELEASE.				
APA: SOFIA ZHANG	Drawn:L. PILLAY	Checked:J. TYRRELL	Approved:D. WALLIN	Date: 31/10/17
R2 - ADDING NEW MODELS (DIFFERENT COMBINATION OF DOCKING STATION AND MCU); ADDING NORTH AMERICAN VARIANT MDRS				
APA: CAROL LI	Drawn:S. ZHANG	Checked:L. PILLAY	Approved:R. PENTLEY	Date: 10/01/2019
R3 - ADDING INTERIM FM FOR NA MODELS AS PER P1129 RELEASE				
APA: CAROL LI	Drawn:S. ZHANG	Checked:L. PILLAY	Approved:B. JOHN	Date: 18/02/2019
R4 - UPDATING FIRMWARE VERSION AND MANUAL AND CD PART NUMBERS FOR ECR-A583 AND P1296 (9 LANGUAGES, NEW FEATURES AND BUG FIXES)				
APA: CAROL LI	Drawn:S. ZHANG	Checked:L. PILLAY	Approved:R. PENTLEY	Date: 24/07/2019

ITEM	①	②	③	④	⑤	⑥	⑦	⑧
DESCRIPTION	4CH DOCKING STATION WITH GPS, G-SENSOR AND 32GB SD CARD	4CH DOCKING STATION WITH GPS, G-SENSOR, 4G, WI-FI AND 32GB SD CARD *	4CH DOCKING STATION WITH GPS, G-SENSOR, WI-FI AND 32GB SD CARD *	4CH DOCKING STATION WITH GPS, G-SENSOR, 4G AND 32GB SD CARD *	4CH DOCKING STATION WITH GPS, G-SENSOR, 4G, WI-FI AND 32GB SD CARD, NORTH AMERICAN VARIANT*	4CH DOCKING STATION WITH GPS, G-SENSOR, 4G AND 32GB SD CARD, NORTH AMERICAN VARIANT*	MOBILE CADDY UNIT WITH 500GB HDD *	MOBILE CADDY UNIT WITH 1TB HDD *
MODEL NUMBER	MDR-504-DS	MDR-504GW-DS	MDR-504W-DS	MDR-504G-DS	MDR-504GW-DS(NA)	MDR-504G-DS(NA)	MDR-500-500-MCU	MDR-500-1000-MCU
PART NUMBER	5131	5135	5140	5137	5508	5538	5132	5157
MDR-504-500 QTY	1	-	-	-	-	-	1	-
MDR-504GW-500 QTY	-	1	-	-	-	-	1	-
MDR-504G-500 QTY	-	-	-	1	-	-	1	-
MDR-504W-500 QTY	-	-	1	-	-	-	1	-
MDR-504-1000 QTY	1	-	-	-	-	-	-	1
MDR-504GW-1000 QTY	-	1	-	-	-	-	-	1
MDR-504G-1000 QTY	-	-	-	1	-	-	-	1
MDR-504W-1000 QTY	-	-	1	-	-	-	-	1
MDR-504-2000 QTY	1	-	-	-	-	-	-	-
MDR-504GW-2000 QTY	-	1	-	-	-	-	-	-
MDR-504G-2000 QTY	-	-	-	1	-	-	-	-
MDR-504W-2000 QTY	-	-	1	-	-	-	-	-
MDR-504GW-500(NA) QTY	-	-	-	-	1	-	1	-
MDR-504G-500(NA) QTY	-	-	-	-	-	1	1	-
MDR-504GW-1000(NA) QTY	-	-	-	-	1	-	-	1
MDR-504G-1000(NA) QTY	-	-	-	-	-	1	-	1
MDR-504GW-2000(NA) QTY	-	-	-	-	1	-	-	-
MDR-504G-2000(NA) QTY	-	-	-	-	-	1	-	-

- NOTES:
1. REFERENCE INSTRUCTION MANUAL FOR FUNCTIONALITY.
  2. ANY CUSTOMER MODIFICATION OF THIS PRODUCT CAUSING SUBSEQUENT FAILURE IS NOT A LIABILITY OF BRIGADE ELECTRONICS GROUP PLC.
  3. MOBILE NETWORK AND WI-FI CAPABILITIES DEPEND ON MODEL AND AVAILABILITY.
  4. FIXING SCREWS SUPPLIED IN CLEAR PLASTIC BAG.
  5. VARIOUS SYSTEM OPTIONS A, B, C OR D CONTAIN RELEVANT COMPONENTS.
  6. REFER TO COMPONENT DRAWINGS FOR DETAILED COMPONENT INFORMATION.
  7. FOR ALL LABELS AND PACKAGING REFER TO MASTER BOM.
  8. PART DESCRIPTIONS CONTAINING "\*" ARE FOUND WITHIN THE CONTROL UNIT. REFER TO MASTER BOM FOR DETAILS.

**PROPRIETARY NOTICE**  
 THIS DESIGN AND TECHNICAL INFORMATION APPEARING ON THIS DRAWING IS THE PROPERTY OF BRIGADE ELECTRONICS, AND IS DISCLOSED IN CONFIDENCE. IT IS NOT TO BE COPIED, REPRODUCED, REVEALED TO OR EXPROPRIATED BY OTHERS, EITHER IN WHOLE OR IN PART WITHOUT THE EXPRESS WRITTEN CONSENT OF BRIGADE ELECTRONICS.



Sheet No 3 of 5	 Angle of Projection Third Angle	Assembly Pl Approval SOFIA ZHANG	Approved by B. JOHN	Checked by M. BUTLER	Drawn by L.PILLAY
		Units mm	Scale N/A	Released 27/07/17	Assembly Ref N/A
		Status RELEASED	MDR-504XX-XXXX		
		Part No VARIOUS	BE-003407-04-16		


Revision Notes.				
R1 - UPDATE WI-FI MODEL NUMBER, FIRMWARE AND MCU VERSION. RELEASED VIA P1012 4G WIFI RELEASE.				
APA: SOFIA ZHANG	Drawn:L. PILLAY	Checked:J. TYRRELL	Approved:D. WALLIN	Date: 31/10/17
R2 - ADDING NEW MODELS (DIFFERENT COMBINATION OF DOCKING STATION AND MCU), ADDING NORTH AMERICAN VARIANT MDRS				
APA: CAROL LI	Drawn:S. ZHANG	Checked:L. PILLAY	Approved:R. PENTLEY	Date: 10/01/2019
R3 - ADDING INTERIM FM FOR NA MODELS AS PER P1129 RELEASE				
APA: CAROL LI	Drawn:S. ZHANG	Checked:L. PILLAY	Approved:B. JOHN	Date: 18/02/2019
R4 - UPDATING FIRMWARE VERSION AND MANUAL AND CD PART NUMBERS FOR ECR-A583 AND P1296 (9 LANGUAGES, NEW FEATURES AND BUG FIXES)				
APA: CAROL LI	Drawn:S. ZHANG	Checked:L. PILLAY	Approved:R. PENTLEY	Date: 24/07/2019

ITEM	⑨	⑩	⑪	⑫	⑬	⑭	⑮	⑯
DESCRIPTION	MOBILE CADDY UNIT WITH 2TB HDD *	MDR INPUT / OUTPUT CABLE (NOT SHOWN)	MDR POWER CABLE (NOT SHOWN)	MDR GPS ANTENNA (NOT SHOWN)	MDR MOBILE NETWORK ANTENNA (NOT SHOWN)	MDR Wi-Fi ANTENNA (NOT SHOWN)	MDR USB A TO B CABLE (NOT SHOWN)	SECURITY KEY (NOT SHOWN)
MODEL NUMBER	MDR-500-2000-MCU	MDR-IO-01	MDR-PWR-01	MDR-ANT-GPS-01	MDR-ANT-MOB-01	MDR-ANT-WIFI-01	MDR-USB-B-02	MDR-KEY-01
PART NUMBER	5330	5142	5141	4883	4989	4990	5195	4891
MDR-504-500 QTY	-	1	1	1	-	-	1	1
MDR-504GW-500 QTY	-	1	1	1	1	1	1	1
MDR-504G-500 QTY	-	1	1	1	1	-	1	1
MDR-504W-500 QTY	-	1	1	1	-	1	1	1
MDR-504-1000 QTY	-	1	1	1	-	-	1	1
MDR-504GW-1000 QTY	-	1	1	1	1	1	1	1
MDR-504G-1000 QTY	-	1	1	1	1	-	1	1
MDR-504W-1000 QTY	-	1	1	1	-	1	1	1
MDR-504-2000 QTY	1	1	1	1	-	-	1	1
MDR-504GW-2000 QTY	1	1	1	1	1	1	1	1
MDR-504G-2000 QTY	1	1	1	1	1	-	1	1
MDR-504W-2000 QTY	1	1	1	1	-	1	1	1
MDR-504GW-500(NA) QTY	-	1	1	1	1	1	1	1
MDR-504G-500(NA) QTY	-	1	1	1	1	-	1	1
MDR-504GW-1000(NA) QTY	-	1	1	1	1	1	1	1
MDR-504G-1000(NA) QTY	-	1	1	1	1	-	1	1
MDR-504GW-2000(NA) QTY	1	1	1	1	1	1	1	1
MDR-504G-2000(NA) QTY	1	1	1	1	1	-	1	1

- NOTES:
1. REFERENCE INSTRUCTION MANUAL FOR FUNCTIONALITY.
  2. ANY CUSTOMER MODIFICATION OF THIS PRODUCT CAUSING SUBSEQUENT FAILURE IS NOT A LIABILITY OF BRIGADE ELECTRONICS GROUP PLC.
  3. MOBILE NETWORK AND Wi-Fi CAPABILITIES DEPEND ON MODEL AND AVAILABILITY.
  4. FIXING SCREWS SUPPLIED IN CLEAR PLASTIC BAG.
  5. VARIOUS SYSTEM OPTIONS A, B, C OR D CONTAIN RELEVANT COMPONENTS.
  6. REFER TO COMPONENT DRAWINGS FOR DETAILED COMPONENT INFORMATION.
  7. FOR ALL LABELS AND PACKAGING REFER TO MASTER BOM.
  8. PART DESCRIPTIONS CONTAINING "\*" ARE FOUND WITHIN THE CONTROL UNIT. REFER TO MASTER BOM FOR DETAILS.

**PROPRIETARY NOTICE**  
 THIS DESIGN AND TECHNICAL INFORMATION APPEARING ON THIS DRAWING IS THE PROPERTY OF BRIGADE ELECTRONICS, AND IS DISCLOSED IN CONFIDENCE. IT IS NOT TO BE COPIED, REPRODUCED, REVEALED TO OR EXPROPRIATED BY OTHERS, EITHER IN WHOLE OR IN PART WITHOUT THE EXPRESS WRITTEN CONSENT OF BRIGADE ELECTRONICS.

**BRIGADE**  
 www.brigade-electronics.com

Assembly Pl Approval SOFIA ZHANG		Approved by B. JOHN		Checked by M. BUTLER		Drawn by L.PILLAY	
Sheet No 4 of 5	Angle of Projection 	Units mm	Scale N/A	Released 27/07/17	Assembly Ref N/A		
Status RELEASED		MDR-504XX-XXXX					
Part No VARIOUS		BE-003407-04-16					

Revision Notes.				
R1 - UPDATE WI-FI MODEL NUMBER, FIRMWARE AND MCU VERSION. RELEASED VIA P1012 4G WIFI RELEASE.				
APA: SOFIA ZHANG	Drawn:L. PILLAY	Checked:J. TYRRELL	Approved:D. WALLIN	Date: 31/01/17
R2 - ADDING NEW MODELS (DIFFERENT COMBINATION OF DOCKING STATION AND MCU), ADDING NORTH AMERICAN VARIANT MDRS				
APA: CAROL LI	Drawn:S. ZHANG	Checked:L. PILLAY	Approved:R. PENTLEY	Date: 10/01/2019
R3 - ADDING INTERIM FM FOR NA MODELS AS PER P1129 RELEASE				
APA: CAROL LI	Drawn:S. ZHANG	Checked:L. PILLAY	Approved:B. JOHN	Date: 18/02/2019
R4 - UPDATING FIRMWARE VERSION AND MANUAL AND CD PART NUMBERS FOR ECR-A583 AND P1296 (9 LANGUAGES, NEW FEATURES AND BUG FIXES)				
APA: CAROL LI	Drawn:S. ZHANG	Checked:L. PILLAY	Approved:R. PENTLEY	Date: 24/07/2019

ITEM	⑰	⑱	⑲	⑳	㉑	㉒
DESCRIPTION	2 x MDR BRACKETS	MDR MOUSE (NOT SHOWN)	ENGLISH INSTALLATION GUIDE (NOT SHOWN)	INSTALLATION CD (NOT SHOWN)	7 x FIXINGS FOR MDR BRACKETS	VEHICLE WARNING STICKER (NOT SHOWN)
MODEL NUMBER	MDR-BKT-01	MDR-MOUSE-01	MDR-500xx-IG-EN	MDR-500-CD	MDR-BKT-FIX-01	MDR-VWS
PART NUMBER	5138	5250	5145B	5144D	5197	5252
MDR-504-500 QTY	1	1	1	1	1	1
MDR-504GW-500 QTY	1	1	1	1	1	1
MDR-504G-500 QTY	1	1	1	1	1	1
MDR-504W-500 QTY	1	1	1	1	1	1
MDR-504-1000 QTY	1	1	1	1	1	1
MDR-504GW-1000 QTY	1	1	1	1	1	1
MDR-504G-1000 QTY	1	1	1	1	1	1
MDR-504W-1000 QTY	1	1	1	1	1	1
MDR-504-2000 QTY	1	1	1	1	1	1
MDR-504GW-2000 QTY	1	1	1	1	1	1
MDR-504G-2000 QTY	1	1	1	1	1	1
MDR-504W-2000 QTY	1	1	1	1	1	1
MDR-504GW-500(NA) QTY	1	1	1	1	1	1
MDR-504G-500(NA) QTY	1	1	1	1	1	1
MDR-504GW-1000(NA) QTY	1	1	1	1	1	1
MDR-504G-1000(NA) QTY	1	1	1	1	1	1
MDR-504GW-2000(NA) QTY	1	1	1	1	1	1
MDR-504G-2000(NA) QTY	1	1	1	1	1	1



- NOTES:
1. REFERENCE INSTRUCTION MANUAL FOR FUNCTIONALITY.
  2. ANY CUSTOMER MODIFICATION OF THIS PRODUCT CAUSING SUBSEQUENT FAILURE IS NOT A LIABILITY OF BRIGADE ELECTRONICS GROUP PLC.
  3. MOBILE NETWORK AND WI-FI CAPABILITIES DEPEND ON MODEL AND AVAILABILITY.
  4. FIXING SCREWS SUPPLIED IN CLEAR PLASTIC BAG.
  5. VARIOUS SYSTEM OPTIONS A, B, C OR D CONTAIN RELEVANT COMPONENTS.
  6. REFER TO COMPONENT DRAWINGS FOR DETAILED COMPONENT INFORMATION.
  7. FOR ALL LABELS AND PACKAGING REFER TO MASTER BOM.
  8. PART DESCRIPTIONS CONTAINING "\*" ARE FOUND WITHIN THE CONTROL UNIT. REFER TO MASTER BOM FOR DETAILS.

**PROPRIETARY NOTICE**  
 THIS DESIGN AND TECHNICAL INFORMATION APPEARING ON THIS DRAWING IS THE PROPERTY OF BRIGADE ELECTRONICS, AND IS DISCLOSED IN CONFIDENCE. IT IS NOT TO BE COPIED, REPRODUCED, REVEALED TO OR EXPROPRIATED BY OTHERS, EITHER IN WHOLE OR IN PART WITHOUT THE EXPRESS WRITTEN CONSENT OF BRIGADE ELECTRONICS.

**BRIGADE**  
 www.brigade-electronics.com

Assembly Pl Approval SOFIA ZHANG	Approved by B. JOHN	Checked by M. BUTLER	Drawn by L.PILLAY
Sheet No 5 of 5	Angle of Projection 	Units mm	Scale N/A
		Released 27/07/17	Assembly Ref N/A
		Status RELEASED	MDR-504XX-XXXX
		Part No VARIOUS	BE-003407-04-16